

PRESIDENT

JOHNSON III

AM / FM
12 / 24 V

**SIMPLY
INCREDIBLE**



Non-contractual photo

FEATURES

- PRESIDENT CHANNELS
 - ANL / NB / Hi-Cut
 - Scan
 - 2 Emergency channels (9 & 19)
 - Vox (Hands-free function)
 - TOT (Time Out Timer)
 - Dual watch
 - Key Beep / Roger Beep
 - Din size
 - 4 Memories
 - Multifunction LCD display
 - ...
- Supplied accessories:
 - 1 Electret UP/DOWN microphone
 - 1 Support
 - 1 Mounting cradle
 - 1 DIN rack
 - Screws and fused power cord

Art. N° TXPR767



3 435991 1104166



*See warranty conditions on our website

Groupe **PRESIDENT** ELECTRONICS since 1978
S.A. Capital 10.000.000 €
2295/01-25 - C0516
Siège Social / Head Office – France – Route de Sète
BP 100 – 34540 BALARUC
Site : <http://www.president-electronics.com>
e-mail : groupe@president-electronics.com

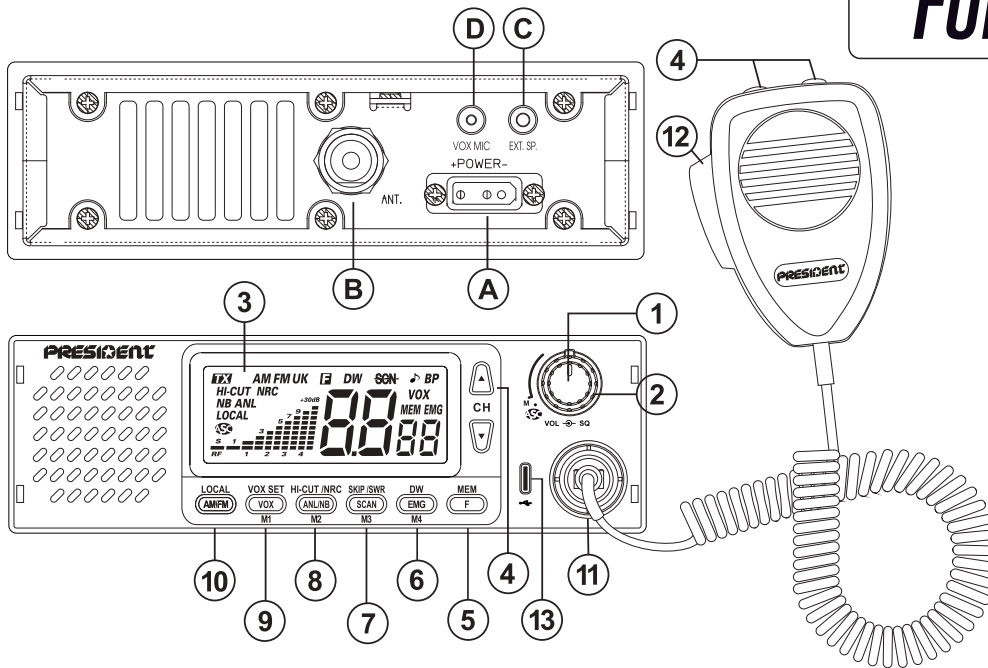


VOX built in



JOHNSON III

Functions

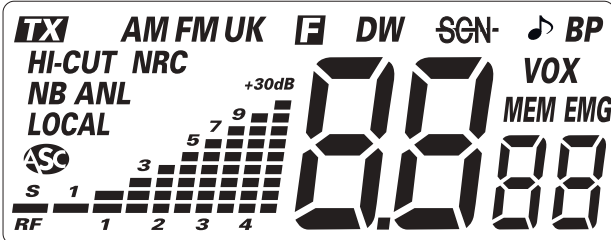


- 1) ON/OFF ~ VOLUME
- 2) ASC (Automatic Squelch Control) ~ SQUELCH
- 3) DISPLAY
- 4) CHANNEL SELECTOR ~ SCAN
- 5) F ~ FREQUENCY BAND SELECTION ~ MEMORY
- 6) PRIORITY CHANNELS ~ DW ~ P CHANNELS ~ M4
- 7) SCAN ~ SKIP/SWR ~ M3
- 8) ANL/NB ~ HI-CUT/NRC ~ M2
- 9) VOX ~ VOX SET ~ M1
- 10) AM/FM ~ LOCAL
- 11) 6-PIN MICROPHONE PLUG
- 12) PTT (Push To Talk) ~ TOT (Time Out Timer)
- 13) USB TYPE C CHARGING SOCKET

- A) DC-POWER TERMINAL (13.2 V / 26.4 V)
- B) ANTENNA CONNECTOR (SO-239)
- C) EXTERNAL SPEAKER JACK (8 Ω, Ø 3,5 mm)
- D) OPTIONAL MICROPHONE VOX JACK (Ø 2,5 MM)

FUNCTIONS TURNING ON THE UNIT

- ROGER BEEP (▲ ou UP)
- KEY BEEP (▼ ou DN)
- COLOR (AM/FM)
- FREQUENCY BAND SELECTION (F)
- UP/DN - ON/OFF (F + EMG)
- RESET (F + AM/FM)
- P CHANNELS (EMG)



TX	Mode transmission	AM	AM mode selected
FM	FM mode selected	UK	England configuration indication
[]	Function button activated	DW	Dual Watch activated
SCN	Scan activated	SGN	Scan Skip activated
♪	Key beep	BP	Roger beep
HI-CUT	HI-CUT filter activated	NRC	NRC filter activated
NB/ANL	NB and ANL filters activated	LOCAL	LOCAL activated
ASC	Automatic squelch activated	VOX	VOX (hands-free) activated
MEM	Memory activated	EMG	Priority (emergency) channel
00	Displays channel number		
00	Displays selected configuration		

12 or 24 V battery operation



All European standards

Specifications

1) GENERAL

- Channels : 40
- Modulation modes : AM / FM
- Frequency range : 26,965 MHz to 27,405 MHz
- Antenna impedance : 50 ohms
- Power supply : 13.2 V / 26.4 V
- Dimensions (mm) : 178 (W) x 120 (D) x 50 (H)
- Weight : 750 g
- Supplied accessories : UP/DOWN microphone with support, mounting cradle, DIN rack, screws and fused power cord.

2) TRANSMISSION

- Frequency allowance : ± 300 Hz
- Carrier power : 4 W
- Transmission interference : < 4 nW (- 54 dBm)
- Audio response : 300 Hz to 3 kHz
- Emitted power in the adj. channel : < 20 µW
- Microphone sensitivity : 5.0 mV
- Drain : ≤ 1,5 A (13,2V) / ≤ 0,8 A (26,4V)
- Modul. signal distortion : ≤ 2 %

3) RECEPTION

- Max. sensitivity at 20 dB sinad : 0,5 µV - 113 dBm (AM)
0,35 µV - 116 dBm (FM)
- Frequency response : 300 Hz to 3 kHz
- Adj. channel selectivity : 60 dB
- Max. audio power : 2 W
- Squelch sensitivity : min. 0,2 µV - 120 dBm
max. 1 mV - 47 dBm
- Image frequency rejection rate : 60 dB
- Intermediate frequency rejection rate : 70 dB
- Drain : 0,25 ~ 0,45 A (13,2V)
0,1 ~ 0,25 A (26,4V)